

Flat Pack Gooseneck Vent Assembly Instructions

1. Check component quantities in the carton:
 - 5 each – 12” vent base
 - 5 each – 12” vent top
 - 5 each – 12” bird guard
 - 5 each – 12” RPS (roof panel support)
 - 1 each – fastener pack containing:
 - 10 each – 5/16” bin bolt with sealing washer
 - 10 each – 5/16” flange nut
 - 55 each - #10 x 5/8” self drilling screws
2. In each top, insert a bin bolt on both sides in the 5/16” hole and secure with a flange nut.
3. Place the top on a vent base. The tallest continuous edge is to the front as shown in figure 1.
4. Install a bird guard on the bolts just installed in the top.
5. Attach the vent top to the base using 11 self drilling screws. Start at the back and work to the front.
6. Install 2 screws in the holes to the front of the vent base on either side.
7. The vent is now ready for installation following the directions on page 2.

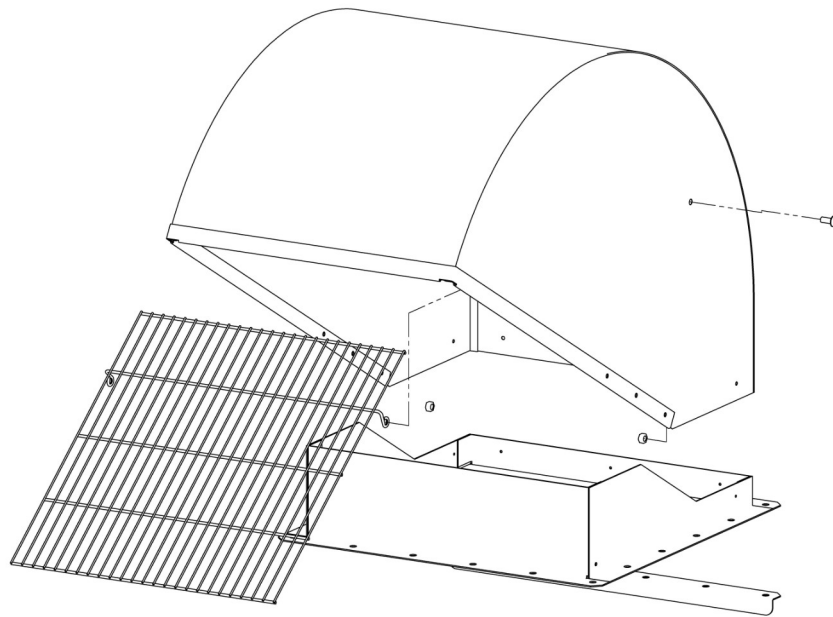


Figure 1

Flat Pack Gooseneck Vent Installation Instructions

1. Locate vent on the desired roof sheet and at the desired location.

Tip: For a new installation, placing the vent as close to the peak of the bin as possible will allow for maximum heat dissipation.

2. Using the vent base as a template, drill the mounting holes using an 11/32" diameter drill bit.
3. Mark and cut the center opening. Use a saber saw, nibbler, or tin snips. **Do not use a grinder.**

Tip: We recommend cutting the opening 1/2"-3/4" smaller than the vent base and forming a continuous flange on the roof panel that will go up inside the base of the vent. Use a hand seamer or other wide jaw tool to start the bends. Install the base and use a ball peen hammer to finish the corners (see Figure 1).

4. Apply beads of butyl sealant to the lower side of the of vent base where base angles butt together at all four corners BEFORE fastening to roof panel (see Figure 2).

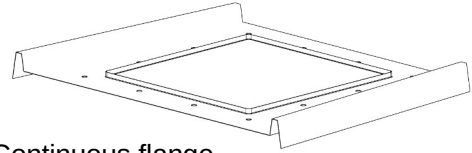
5. Apply two continuous beads of butyl sealant to the roof panel as shown in Figure 3, one inside the bolts and one outside the bolts. Leave a 1" gap at the lower side of the outside bead for any water to escape.

6. Place vent on roof panel taking care to set vent straight down on panel so as not to damage caulk lines. Fasten vent to roof sheet using 5/16" bin bolts with steel backed neoprene washer and nuts. Optional Accessory: Install (RPS) roof panel support on lower side of roof sheet at upper edge.

7. Tighten all bolts to 15-20 ft-lbs (recommended). Check sealant along upper end and sides of vent base for any gaps or pockets. Apply extra sealant as required.

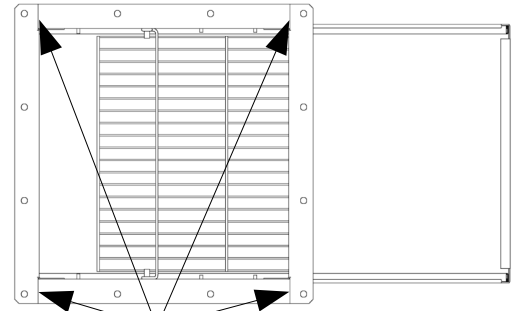
8. **!VERY IMPORTANT!**: Apply butyl sealant to all four corners of vent base where base angles butt together AFTER fastening to roof panel. Apply sealant where the top of the vent and the base meet at the top of the vent (toward top of the bin) and 4" down each side (Figure 4).

9. Important: Caulk vent to bin roof panel when installing and yearly to prevent leakage.



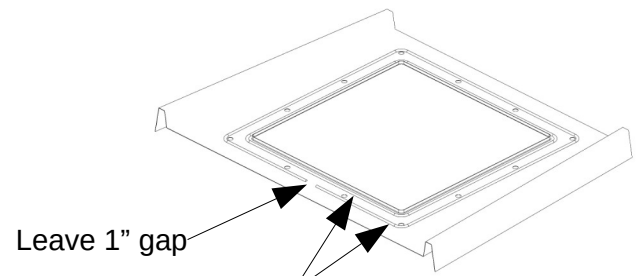
Continuous flange
nests inside base of vent.

Figure 1



Apply sealant.

Figure 2



Leave 1" gap

Apply two continuous
beads of sealant.

Figure 3

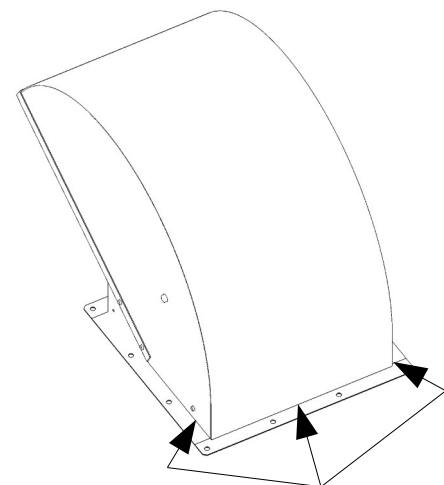


Figure 4

Apply sealant
after installation.